

Technical data sheet

Gutter clamp for all bead thicknesses



Item no. 5316324



- Fits all bead thicknesses
- With 1 hexagonal bolt M8 x 30
- 2 hexagonal bolts M6 x 12
- VA version also for use as bimetal conductor (holder)

A2 Stainless steel, rustproof 1.4301

Product description

Master data

Item no.	5316324
Type	267 VA
Description 1	Gutter clamp
Dimension	8mm
Material	Stainless steel, material no. 1.4301
Material symbol	A2
Smallest sales unit (VG)	10,00 Piece
Weight	11,36 kg/100 pc.

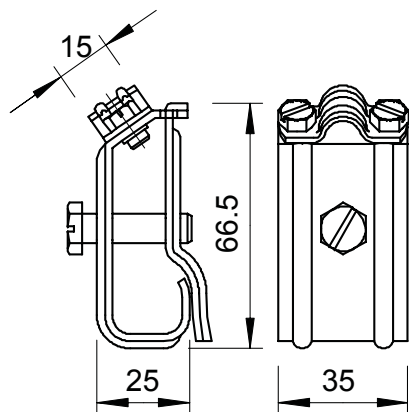
Technical data sheet

Gutter clamp for all bead thicknesses

Item no. 5316324



Technical data



Type of fastening screw	Hex set screw
Type of connector	Roof gutter clamp
Fit	Rd 8-10 mm