

Technical data sheet

Concrete base for FangFix system, min. 16 kg

Item no. 5403227



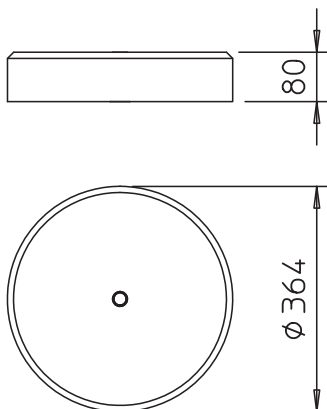
- Min. 16 kg block of \varnothing 365 mm, high level of stability
- Frost-resistant concrete
- Stackable

BET Concrete

Master data

Item no.	5403227
Type	F-FIX-S16
Description 1	Foot
Description 2	for FangFix
Dimension	16kg
Material	Concrete
Material symbol	BET
Smallest sales unit (VG)	1,00 Piece
Weight	1.700,00 kg/100 pc.

Technical data



Version	Base
Air-termination rod holder	Screwless
Diameter	365,00 mm
Weight	16,00 kg
Nominal size \varnothing	365 mm
Tapered	<input type="checkbox"/>