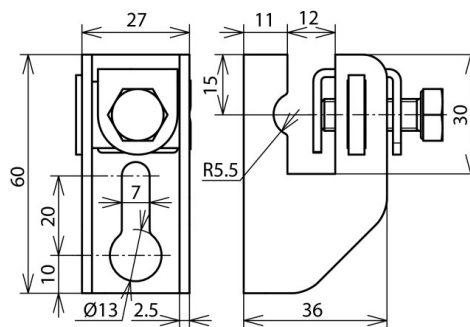


FRH 11 6.10 WA11 B7 V2A (277 239)



Figure without obligation



| Type | FRH 11 6.10 WA11 B7 V2A |
|--|-------------------------|
| artikelnr. | 277 239 |
| Materiale (lederholder) | Rustfrit |
| Vægafstand | 11 mm |
| Fastgørelse | Ø13 og 7 x 20 mm |
| Klemmeområde | 6-10 / 11 mm |
| Skinnebredde | 12 mm |
| Skrue | ☛ M8 x 25 mm |
| Materiale (skrue) | Rustfrit |
| Standard | EN 62561-4 |
| Vægt | 117 g |
| Toldpositionsnummer (Kombinerede Nomenklatur EU) | 85389099 |
| GTIN | 4013364111004 |
| PU | 25 Pakkestørrelse |

We reserve the right to introduce changes in performance, configuration and technology, dimensions, weights and materials in the course of technical progress. The figures are shown without obligation.